

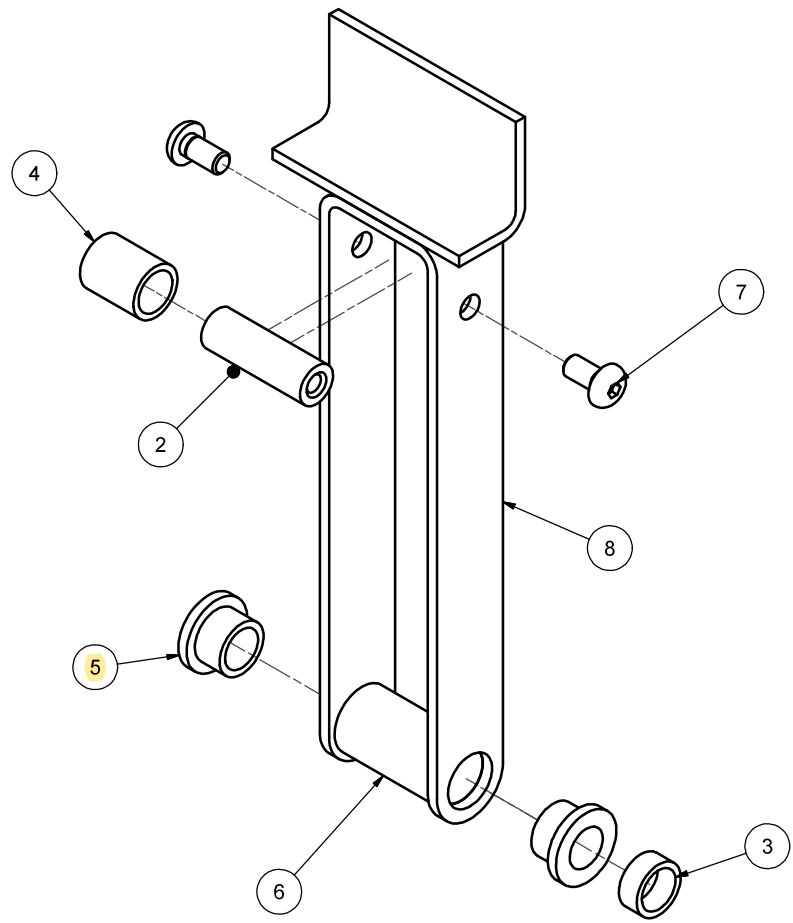
4

3

2

1

REVISION HISTORY			
REV	DESCRIPTION	DATE	BY
A	RELEASED	6/3/2005	DW



Parts List			
ITEM	QTY	PART NUMBER	DESCRIPTION
2	1	CAC50-048-3	SHAFT KNIFE GUARD
3	1	CAC50-040-3	SPACER CONN ARM KNIFE COVER
4	1	CAC50-041-3	SPACER KNIFE GUARD
5	2	50186-039	BUSHING
6	1	PSC301110-3	SPACER
7	2	FBHMF010P10	BUTT. HD. SCREW M5 X 10
8	1	CAC50-011-4	KNIFE GUARD

MATL	PART #	CAD FILE	KNIFE GUARD ASSY.dwg	TOLERANCES UNLESS OTHERWISE NOTED: .X = ±.050 INCH .XX = ±.015 ANGLES ± 1/2° .XXX = ±.005 .X = ±1.0mm MACH. FINISH METRIC .XX = ±.3mm .XXX = ±.1mm FRACTIONS ± 1/64	LOVESHAW an ITW Company RT. 296, SOUTH CANAAN, PA.	
ST. ST.	STD	PLOT DATE	DRAWN DATE 6/3/2005		KNIFE GUARD ASSEMBLY	
STAINLESS : NO FINISH		DO NOT SCALE PRINT		DWG NO .KGA-CAC50 SCALE		
THIS DRAWING AND SUBJECT MATTER THEREON IS THE EXCLUSIVE PROPERTY OF LOVESHAW-ITW AND IS TO BE TREATED BY YOU AS CONFIDENTIAL PROPRIETARY INFORMATION. THIS DRAWING OR SUBJECT MATTER THEREOF SHALL NOT BE REPRODUCED OTHER THAN FOR YOUR OWN USE OR TO BE DISCLOSED TO OTHER WITHOUT THE EXPRESSED WRITTEN CONSENT OF LOVESHAW-ITW AND WILL BE RETURNED TO LOVESHAW-ITW UPON REQUEST.				MATERIAL CHECKED DRAWN DENNISW APPROVED		

4

3

2

1