



Operations Manual

Eagle T10CF Carton Erector



**READ ALL INSTRUCTIONS CONTAINED IN THIS
MANUAL PRIOR TO MACHINE INSTALLATION!**

Contents

	<i>page</i>
1. Safety & Warnings	3
2. Specifications	4
3. Setup and Installation	
3.1 Transportation	5
3.2 Working Height Adjustment	5
3.3 Air Line Filter	5
3.4 Carton Supply Shelf	5
3.5 Carton Feeder	6
3.6 Power Supply	6
4. Operation	
4.1 Standard Operation	7
4.2 Adjustable Work Height	7
5. Maintenance & Troubleshooting	
5.1 Regular Maintenance & Cleaning	8
5.2 Lubrication	8
6. Illustrations & Parts List	
6.1 Main Frame Components	9
6.2 Carton Feeder Assembly	11
6.3 Left/Right Coupling Assembly	12
6.4 Carton Clamping Assembly	13
6.5 Electrical Diagram	14

1. Safety and Warnings



WHILE OPERATING THE MACHINE, OPERATORS MUST REFRAIN FROM WEARING CLOTHING OR ACCESSORIES THAT MAY GET CAUGHT IN THE MOVING PARTS OF THE MACHINE (WATCHES, RINGS, BRACELETS, TIES, LOOSE CLOTHING, ETC...)

The Eagle T10CF is a semi-automatic carton erector that can be used as a standalone machine or in conjunction with the Eagle T500 carton sealer.

This machine has a wide range of applications including the following industries: chemical fiber, pharmaceutical, publication, refrigeration and air-conditioning, household appliances, ceramics, produce, meats, poultry.

Prior to setting up the machine

1. Verify the model number matches the model number addressed in this manual.
2. Verify that no parts of the machine have been removed or are missing.
3. Remove all packaging or shipping materials used during transport or storage of the machine.
4. Check for any damage that may have occurred during shipping or transport.

Prior to operating the Eagle T10CF, verify

- Protective shielding and covers are properly installed
- Machine is on stable ground and casters are in the locked position.

The Eagle T10CF is designed to automatically shut down if the control panel is opened while the machine is in operation.



DO NOT USE TO SEAL CARTONS CONTAINING HAZARDOUS SUBSTANCES OR EXPLOSIVE MATERIALS

2. Specifications

Power Requirement	110VAC, 50/60Hz (Single Phase)
Air Consumption	1 cfm @ 80 psi (6kg f/m ³)
Carton Length	6-26in
Carton Width	5-18.5in
Carton Height	5.5-20in
Machine Length	59.5in
Machine Width	35.5in
Machine Height	35in
Weight	180lbs
Operational Environment	32-104°F (0-40°C) @ ≤ 98% Humidity
Machine Noise Levels	≤ 75db

3. Machine Setup and Installation



TAKE CARE TO AVOID DAMAGE TO THE MOTOR AND ASSEMBLY WHILE LIFTING OR TRANSPORTING THE MACHINE!

3.1 Transportation

Use a fork lift or tow motor to remove the machine from its shipping container or pallet.

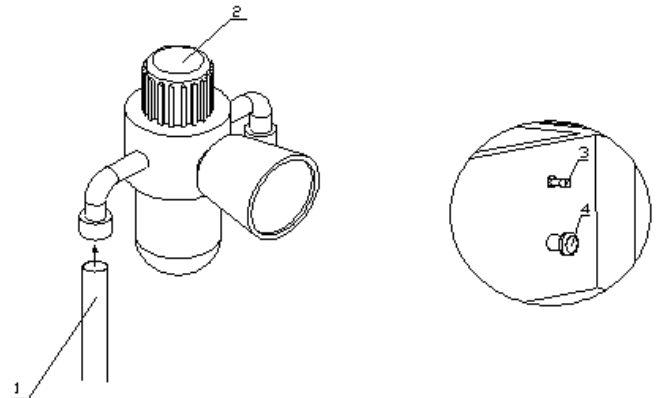
3.2 Working Height Adjustment

While elevated, install the adjustable legs onto the machine. Set each leg to the same height to ensure the machine is level when placed onto the ground.

The working height should be set such that the operator is able to comfortably operate the machine while maintaining approximately 1/2in (10mm) of distance from the machine.

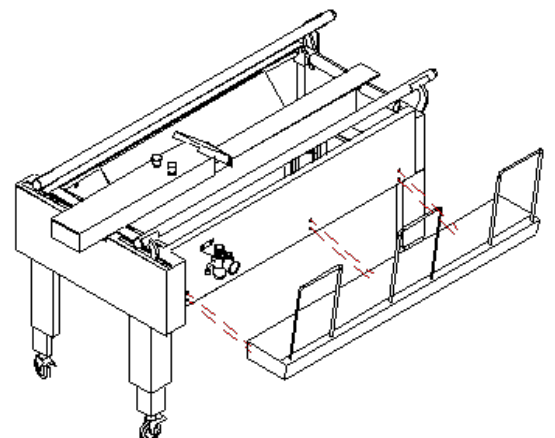
3.3 Air Line Filter

1. Connect air source
2. Adjust regulator to 4-6.5 bars of air pressure
3. Adjust for proper carton feed speed
4. Verify emergency switch position



3.4 Carton Supply Shelf

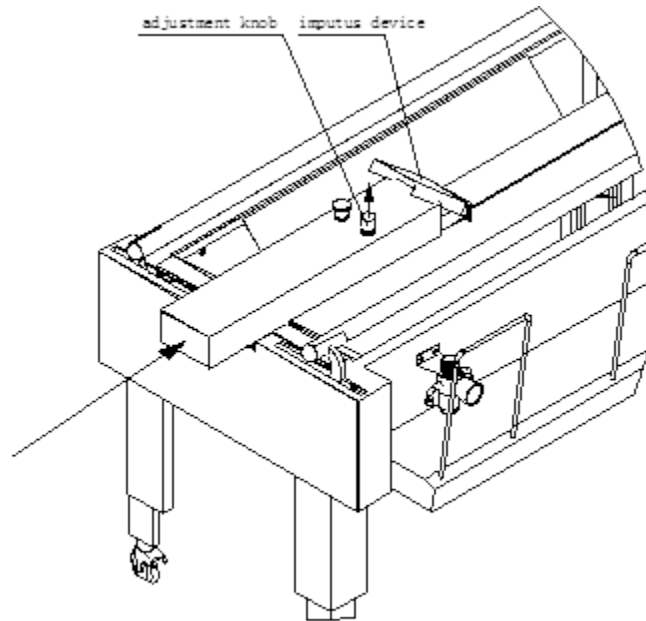
Install the carton supply shelf as depicted.



3. Machine Setup and Installation

3.5 Carton Feeder

By pulling up on the adjustment knob, the feeder can be moved to adjust for carton length. Once adjusted to the proper setting, release the knob to fix the feeder into position.



3.6 Power Supply

Connect the machine to the power supply.

Note: Prior to connecting the machine to the power supply, verify that the power switch is set to the 'OFF' position and that the work area is clean and clear of any items.

4. Operation

4.1 Standard Operation

Prior to operating the machine, please confirm that

1. The proper voltage is being supplied to the motor
2. All fasteners and protective covers are securely in place
3. All electronic components are dry

Machine Operation

1. Plug the machine into the power source
 - a. DO NOT hard wire the machine to the power source
2. Activate air supply
3. Place carton to be erected onto feeder pushing board
 - a. Operator must fold the front and rear bottom flaps while loading carton onto the feeder.
4. Press the green button or depress foot pedal to activate bottom flap folding mechanism and carton feed.



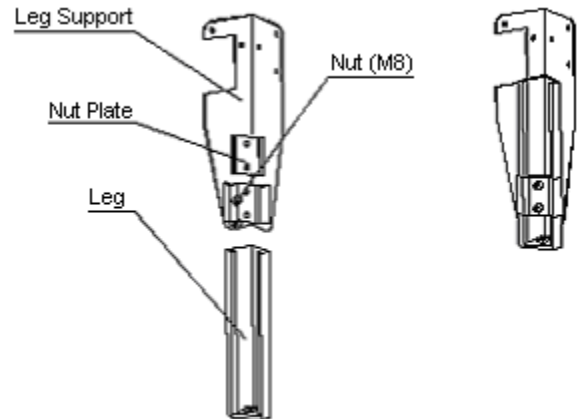
TURN OFF MACHINE AND DISCONNECT IT FROM THE POWER SOURCE PRIOR TO PERFORMING ANY MAINTENANCE OR SERVICE

4.2 Adjustable Work Height

Put the nut plate into the leg support according to the figure.

Then loosely connect the fastening piece and the nut plate with the socket head cap screws. Insert the leg between the leg support and nut plate. The leg can now be adjusted up and down as desired. Tighten the screws.

The working height should be set such that the operator is able to comfortably reach the roller table while maintaining approximately 4in (100mm) of distance from the machine.



5. Maintenance and Troubleshooting



TURN OFF MACHINE AND DISCONNECT IT FROM THE POWER SOURCE PRIOR TO PERFORMING ANY MAINTENANCE OR SERVICE

5.1 Regular Maintenance & Cleaning

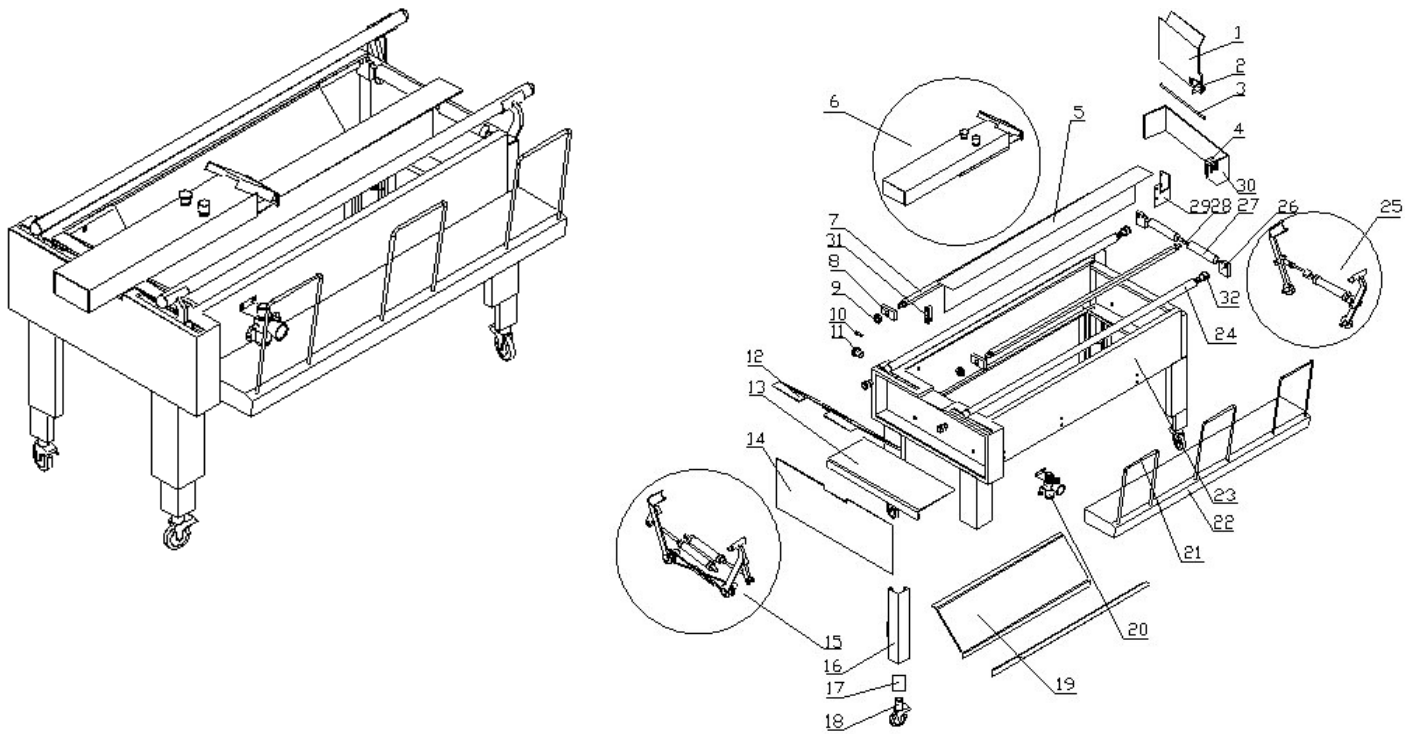
1. Check all bolts and screws regularly to ensure smooth, malfunction-free operation of the machine.
2. Lubricate moving parts of the machine on a regular basis.
3. Clean the machine surfaces.

5.2 Lubrication

1. The bottom drive chain should be lubricated once a week.

6. Illustrations & Parts List

6.1 Main Frame Components



	Description	Part Number	Qty
1	Switch Plate	FJ-HK-40	1
2	Percussion Chip	FJ-HK-41	1
3	Arm	FJ-HK-37	1
4	Mechanical Valve	R-3-M5	1
5	Bearer	FJ-HK-47	1
6	Pushing-Carton Component	-	1
7	Pendulum	FJ-HK-45	2
8	Support Base	FJ-HK-27	2
9	Spacer Bush	FJ-HK-26	4
10	Change Valve	VZ-3-PK-3	1
11	Manual Valve	S3PM-06-R	1
12	Valve Cover	FJ-HK-60	1
13	Valve Mounting Panel	FJ-HK-07	1
14	Back Closing Plate	FJ-HK-59	1
15	Left/Right Coupler	-	1
16	Expansion Foot	FJ-HK-69	4
17	Connection Board	FJ-HK-119	4
18	Caster Wheel	-	4

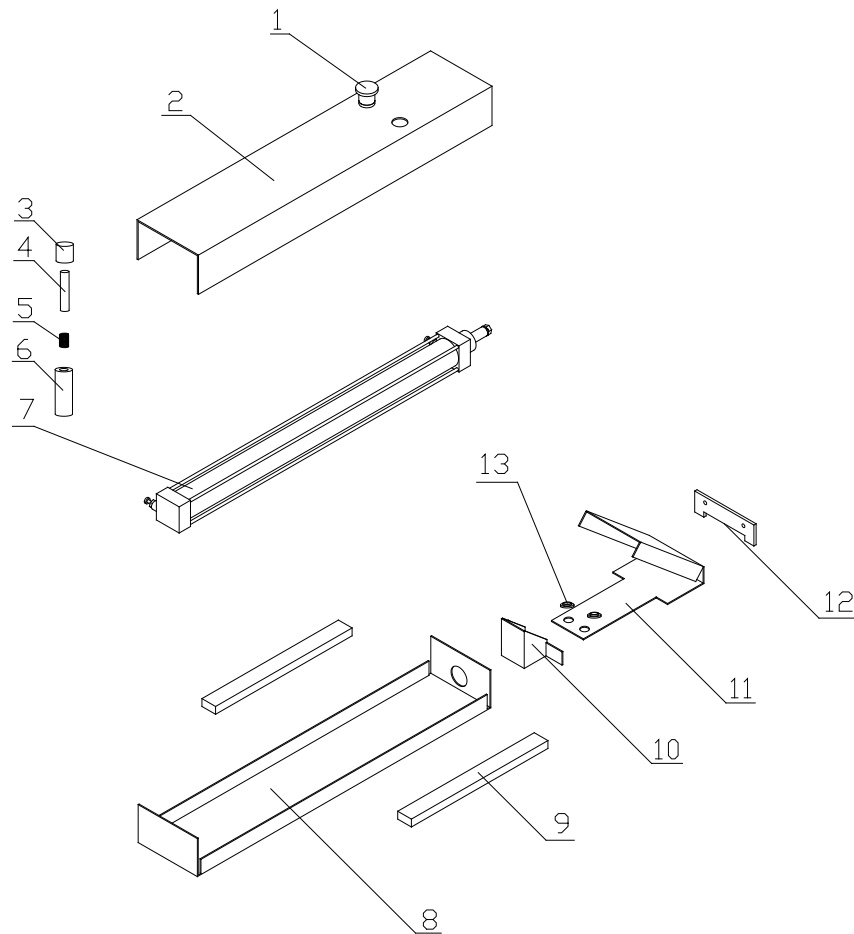
6. Illustrations & Parts List

6.1 Main Frame Components (Continued)

19	Flap	FJ-HK-46	2
20	Pressure Filter	AFR-200-M	1
21	Bent Bar	FJ-HK-61	3
22	Carton Bearer	FJ-HK-62	1
23	Frame	FJ-HK-05	1
24	Clamping Bar	FJ-HK-19	2
25	Clamping Pack Component	-	1
26	Support Base I	FJ-HK-28	2
27	Filter Roller	FJ-HK-23	2
28	Roller Shaft	FJ-HK-24	2
29	Connection Board I	FJ-HK-64	2
30	U Type Frame	FJ-HK-36	1
31	Cleat	FJ-HK-06	2
32	Bulkhead	FJ-HK-21	4

6. Illustrations & Parts List

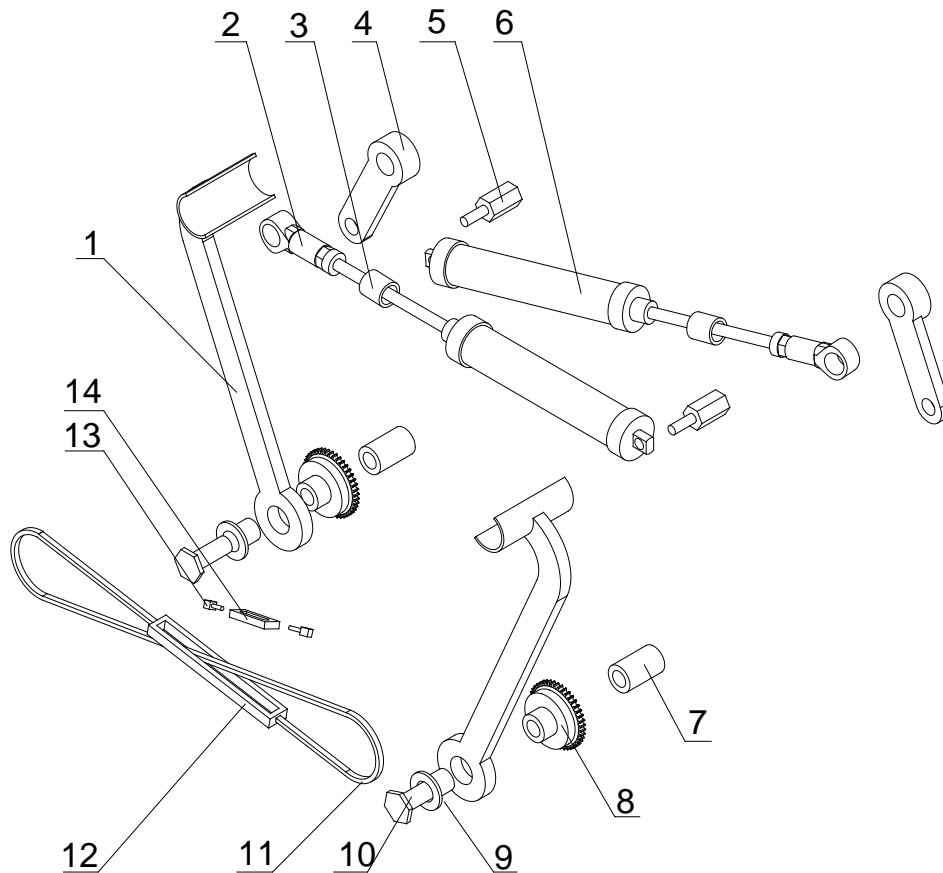
6.2 Carton Feeder Assembly



	Description	Part Number	Qty
1	Manual Valve	S3PM-06-G	
2	Cylinder Cover	FJ-HK-58	
3	Handle	FJ-HK-50	
4	Stay Rod Pin	FJ-HK-49	
5	Setting Bolt Spring	FJ-HK-48	
6	Setting Bolt Spring Block	FJ-HK-51	
7	Cylinder	SC40x550	
8	Cylinder Mounting Rack	FJ-HK-52	
9	Location Bar	FJ-HK-53	
10	Cylinder Pushing Frame	FJ-HK-54	
11	Pushing Plate	FJ-HK-57	
12	Location Clamping Chip	FJ-HK-55	
13	Carrier Ring	FJ-HK-56	

6. Illustrations & Parts List

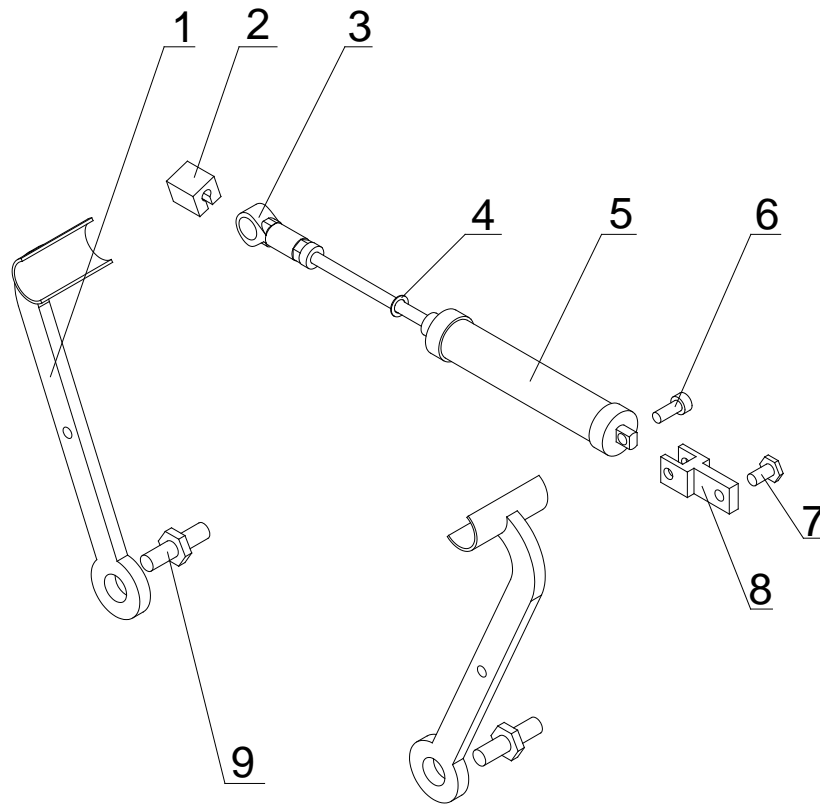
6.3 Left/Right Coupling Assembly



	Description	Part Number	Qty
1	Rear Oscillating Arm	FJ-HK-17	2
2	Joint Bearing	S110T/K1.25	2
3	Spacer Bushing	-	2
4	Pendulum Mass	FJ-HK-31	2
5	Tail End Shift	FJ-HK-09	2
6	Cylinder	MAL32x125-CA	2
7	Locating Bushing	FJ-HK-34	2
8	Drive Rag Wheel	FJ-HK-32	2
9	Copper Sheathing	FJ-HK-33	4
10	Main Fulcrum Shaft	FJ-HK-35	2
11	Chain	06B	1
12	Joint Buckle	FJ-HK-42	1
13	Tension Bar	FJ-HK-43	2
14	Chain Link Block	FJ-HK44	1

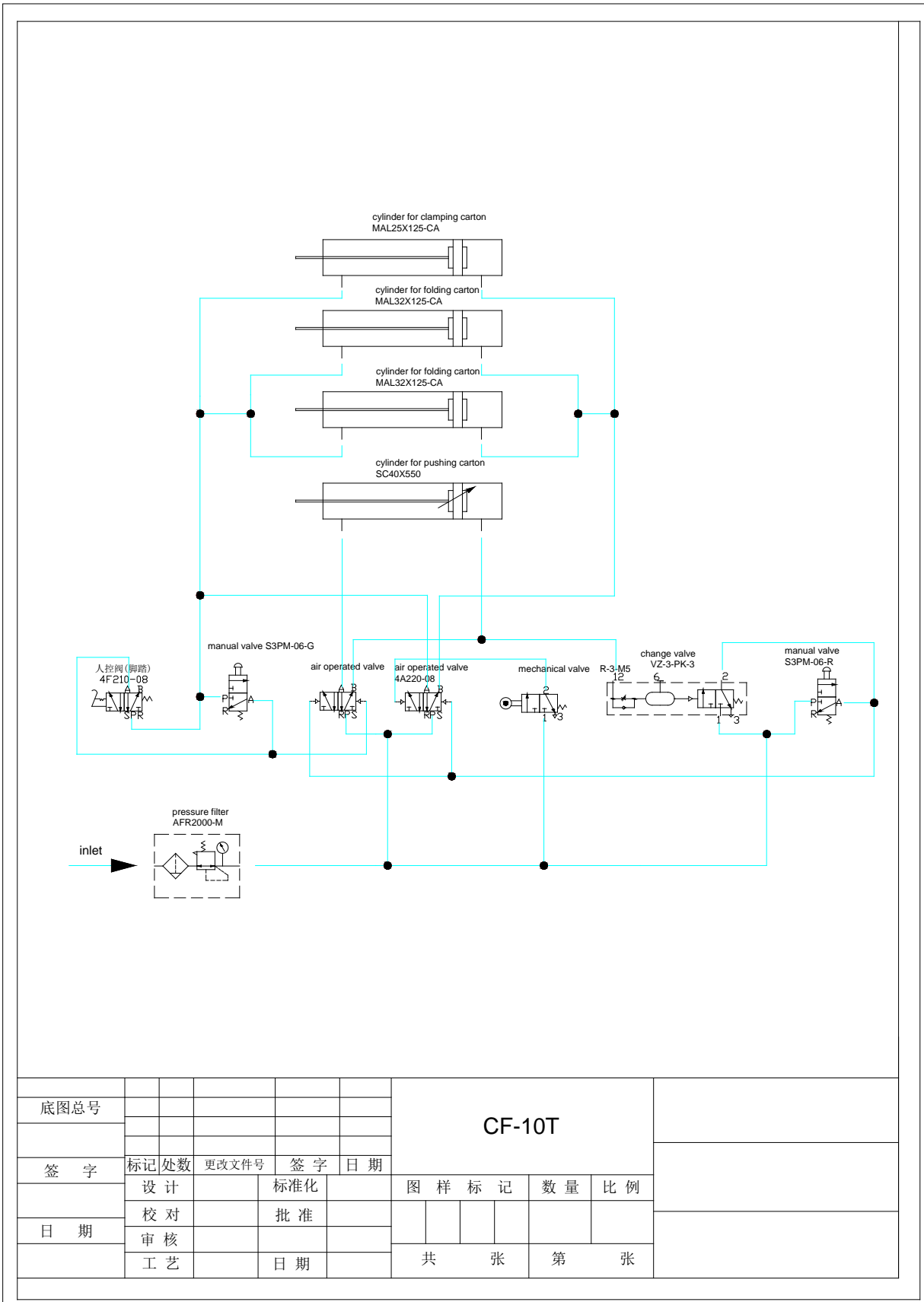
6. Illustrations & Parts List

6.4 Carton Clamping Assembly



	Description	Part Number	Qty
1	Front Oscillating Arm	FJ-HK-18	2
2	Cylinder Limit Lock	FJ-HK-11	1
3	Joint Bearing	S110/KM1.25	1
4	Cylinder Range Spacer	FJ-HK-10	1
5	Cylinder	MAL25x125M1.25	1
6	Pin Roll	FJ-HK-13	1
7	Cylinder Rear Shaft	FJ-HK-25	1
8	Tail Stock	FJ-HK-12	1
9	Front Oscillating Arm Fulcrum	FJ-HK-22	1

6.5 Electrical Diagram



底图总号						CF-10T			
签字	标记	处数	更改文件号	签字	日期				
	设计			标准化		图样	标记	数量	比例
日期	校对			批准					
	审核								
	工艺			日期		共	张	第	张