

# COMPACTA TIRE WRAPPER

Automatic Hybrid  
Rotating Ring  
Wrapping Machine



**ROBOPAC** 

# overview

## COMPACTA TIRE WRAPPER

Designed specifically to wrap motorcycle, ATV, go kart and lawnmower tires up to 25" in diameter, this Compacta allows you to ship tires without expensive and time consuming corrugated packaging.

Innovative features including vertical power guides to position and rotate tires during wrapping; and a color touchscreen control panel capable of running pre-set programs set the standard in tire wrapping.

Safe, simple operation includes automatic film clamping, cutting and heat sealing unit. All Compactas feature constant film tensioning to improve package integrity and reduce film breaks.

All Compactas are equipped with safety options that adhere to rigorous CE safety standards.

Robopac leads the industry with innovative products and solutions. The new Compacta tire wrapping machine proves that we are committed to providing you with the best machine combined with the latest technology. Our engineers wouldn't allow us to do it any other way.

# machine features



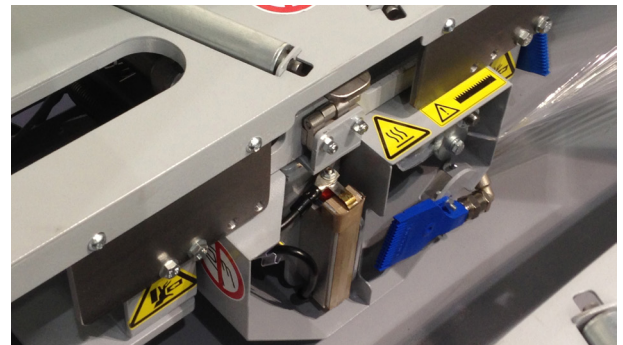
Intuitive 7" color touchscreen control panel provides quick and easy access to machine operation. Up to 20 custom programs can be stored and recalled.



Gravity rollers embedded on infeed and outfeed tables provide a smooth transition into the wrap zone while helping direct the product into the center of the guide rollers.



Self-centering guides center product in the ring and automatically rotate the product to provide a smooth, contiguous wrap--suitable for shipping.

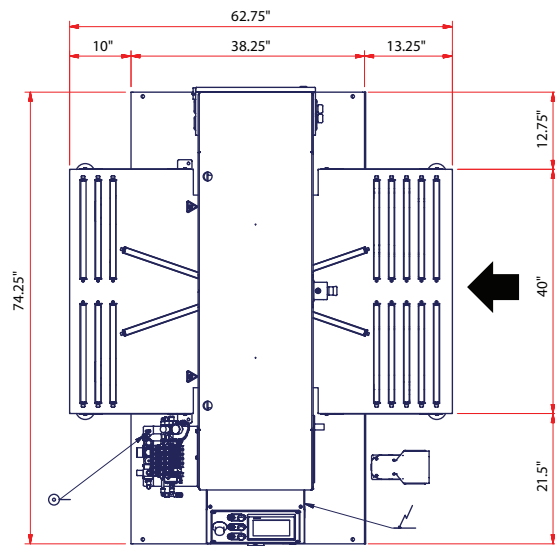
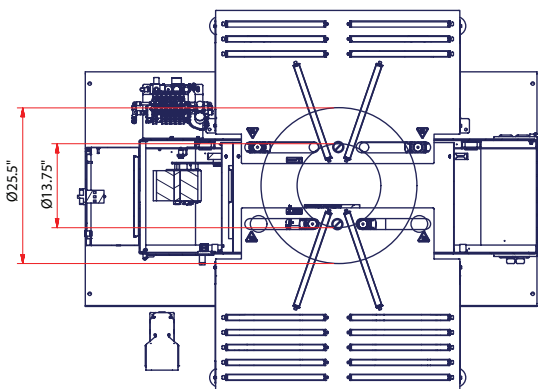
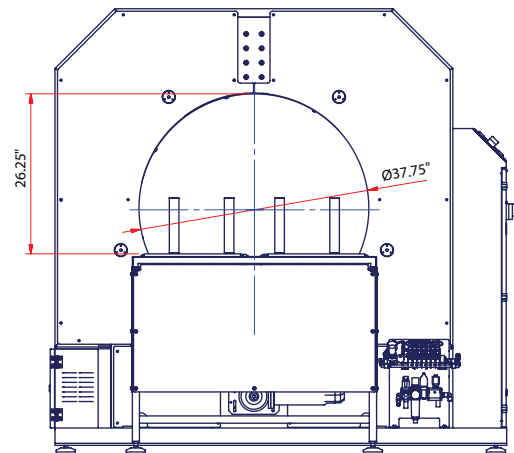
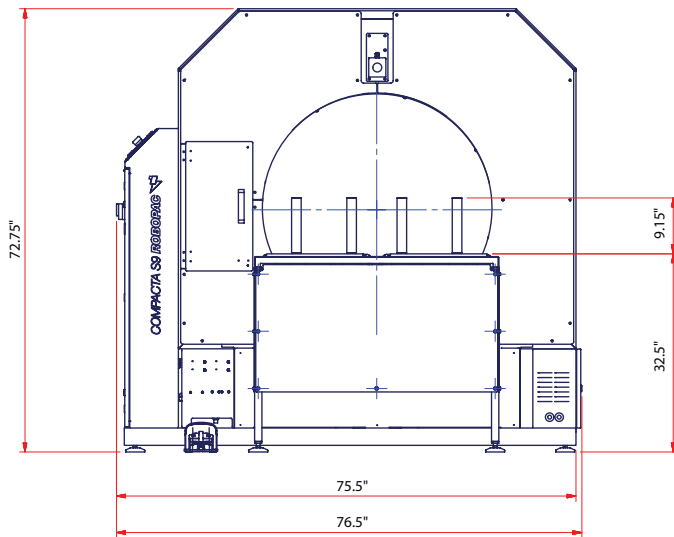


Automatic clamp, cut and seal unit neatly cuts the film after wrapping and seals the film tail to the product.

# specifications

## Technical Features

Belt Driven Rotation	●
Max. Rotation Speed (RPM)	75
Fully Automatic Wrapping Cycle	●
Ability to Wrap in Manual Mode for Special Tires	●
Pneumatically Operated Cut and Clamp with Hot Seal Unit	●
Spool Unit with Frictioned Roll	●
Constant Film Tensioning	●
Power Supply Voltage: 480 V 3Ph+N 50/60 Hz	●
Installed Power kW	1.1
Working Pressure: 6±1 bar	●
Film Roll Width	5"
Film O.D.	8"
Film Core Diameter (in)	3"





## ROBOPAC

Robopac is the global leader in the stretch wrapping industry. Our line of semi-automatic and automatic stretch wrapping equipment combines technology, innovation and experience into products that deliver results you can depend on.

Robopac is ISO 9001:2008 certified and all our equipment meets the strictest global safety standards, including CE.

In 2008, Robopac hired Porsche Lean Consulting to help us implement their lean manufacturing process in our factory. This process allows us to build our equipment faster, better, for less.



Aetna Group holds over 100 patents and our commitment to innovation is the heart of our organization. With over 80 employees dedicated to Research & Development and a \$7.6-million investment in R&D in 2011, we are committed to maintaining our position as the global leader in secondary packaging.

Aetna Group has more than 120,000 machines installed around the world and currently produces 6,700 machines annually, more than twice that of our nearest competitor.

Our four product lines: Robopac, Robopac Sistemi, Dimac and Prasmatic offer complete lines of innovative stretch wrapping systems, bundlers, shrink wrappers, cartoning systems and tape machines through a global network of over 400 agents and distributors. We also employ over 80 technical service engineers ready to provide prompt and courteous support, whenever and wherever you need it.

**AETNA GROUP U.S.A. Inc.**  
2475B Satellite Blvd. - Duluth - GA 30096-5805 - USA  
tel: (+1) 678 473 7896 - toll free (866) 713 7286  
fax: (+1) 678 473 1025  
e-mail: aetnagroup@aetnagroupusa.com

### ROBOPAC S.P.A.

Via Fabrizio da Montebello, 81  
47892 Acquaviva Gualdicciolo - Repubblica di San Marino  
tel: + 378 0549. 910. 511  
fax: + 378 0549. 908. 549 / 905. 946  
e-mail: robopac@aetnagroup.com

### AETNA GROUP S.P.A. - ROBOPAC SISTEMI

S.P. Marecchia, 59 - 47826 Villa Verucchio - Rimini  
tel: (+39) 0541 673411  
fax: (+39) 0541 679576  
e-mail: robopacsistemi@aetnagroup.com

### AETNA GROUP S.P.A. - DIMAC

Via Rinascita, 25 - 40064 Ozzano Emilia - Bologna  
tel: (+39) 051 791611  
fax: (+39) 051 6511013  
e-mail: dimac@aetnagroup.com

### PRASMATIC S.R.L.

Via J. Barozzi, 8 - Z.I. Corallo - 40050 Monteveglio - Bologna  
tel: (+39) 051 960302  
fax: (+39) 051 960579  
e-mail: info@prasmatic.com

### AETNA GROUP UK LTD

Packaging Heights  
Highfield Parc- Oakley- Bedford MK43 7TA - England  
tel: (+44) 0 1234 825050  
fax: (+44) 0 1234 827070  
e-mail: sales@aetna.co.uk

### AETNA GROUP FRANCE S.a.r.l.

4, Avenue de l'Europe - 69150 Décines - France  
tel: (+33) 04 72 14 54 01  
fax: (+33) 04 72 14 54 19  
e-mail: commercial@aetnafr.aetnagroup.com

### AETNA GROUP DEUTSCHLAND GmbH.

Liebigstr. 6 - 71229 Leonberg - Höfingen - Germany  
tel: (+49) 0 7152 33 111 30  
fax: (+49) 0 7152 33 111 40  
e-mail: info@aetna-deutschland.de

### AETNA GROUP VOSTOK OOO

129329 Moscow - Otradnaya str. 2B - building 6 office 224  
tel: (+7) 495 6443355  
fax: (+7) 495 6443356  
e-mail: info@aetnagroupvostok.ru

### AETNA GROUP SHANGHAI

Shanghai Jin Shan Industrial Park  
Jin Liu Road No 877 - 201506  
tel: +86 (0) 21 67290111  
fax: +86 (0) 21 67290333  
e-mail: infochina@aetnagroup.com

[www.aetnagroupusa.com](http://www.aetnagroupusa.com)

